

FLASHGUARD LED BEACONS



3 LIGHT ASSEMBLY - GREEN / AMBER / RED



2 LIGHT ASSEMBLY - GREEN & RED



SINGLE BEACONS - GREEN OR AMBER OR RED

Flashguard weatherproof LED beacons are ideal visual indicators in a variety of applications. All Flashguard beacons are fitted with a diffuser for greater visibility and spread of light. **Standard:** includes a terminal block and a 27mm deep base supplied with an M16 compression gland and nut. All lights or combinations of lights are mounted to a 3mm laser cut universal stainless steel bracket. Units are pre-wired, pre-tightened (glands) and terminate with an automotive quality AT series 6 way plug. Our factory pre-assembled beacon lights include cabling and M16 glands which seal the beacon lights to IP67 (weatherproof)

FEATURES

- Compact, ultra modern sleek appearance
- High quality, long life LED design
- Ease of installation with first-fix option on standard models
- Weatherproof to IP67
- White, high quality polycarbonate housing
- Vandal-resistant safety locking mechanism
- Flashing or static indicators
- Universal 3mm stainless steel mounting bracket
- 11 - 35VDC supply
- Energy efficient LED lights (low consumption)
- Low carbon footprint

LENS COLOUR OPTIONS

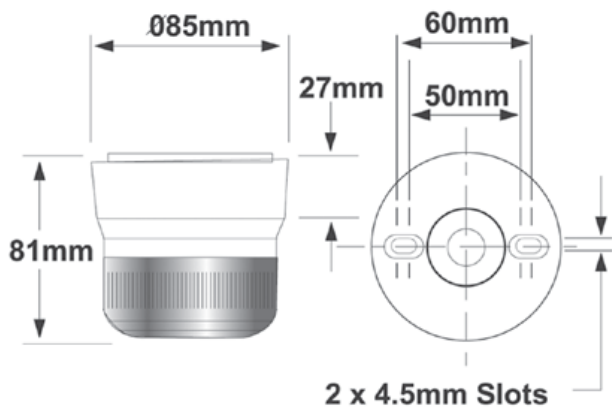


APPLICATIONS

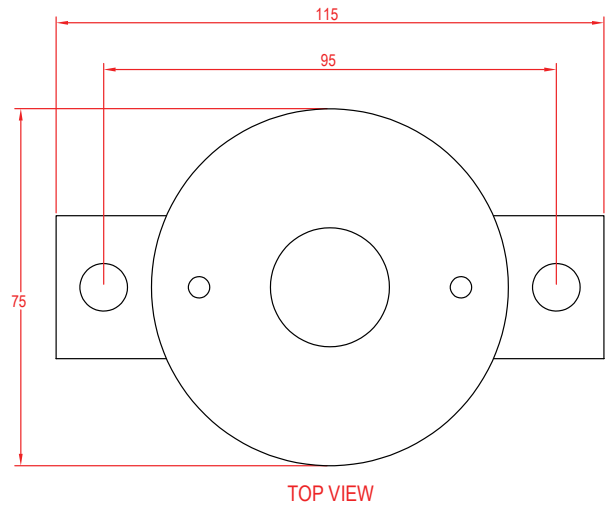
- Fire alarm
- Security alert
- Emergency warning
- Process control alarm
- Status / Warning lights for all construction machinery

Type and Style	Elec-Mech Part No. / Ordering Description	Voltage	Current	Static / Flashing	Flash Rate
LED Standard	Klaxon 3 light (Green, Amber, Red)	11/35V DC	200mA**	Static / Flashing*	1 Hz
LED Standard	Klaxon 2 light (Green, Red)	11/35V DC	150mA**	Static / Flashing*	1 Hz
LED Standard	Klaxon Green	11/35V DC	100mA**	Static / Flashing*	1 Hz
LED Standard	Klaxon Amber	11/35V DC	50mA	Static / Flashing*	1 Hz
LED Standard	Klaxon Red	11/35V DC	50mA	Static / Flashing*	1 Hz

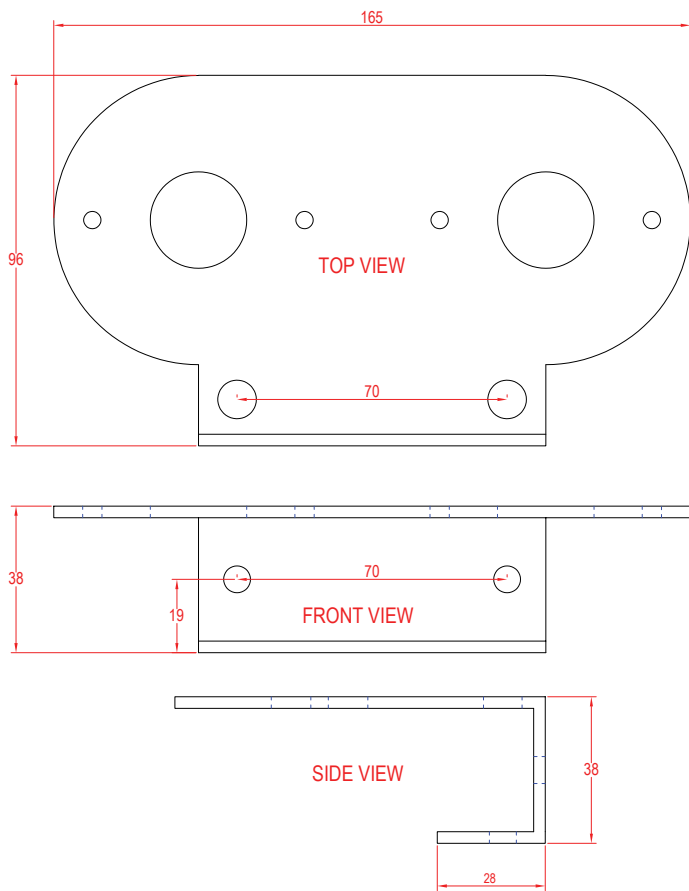
STANDARD LIGHT (NO BRACKET)



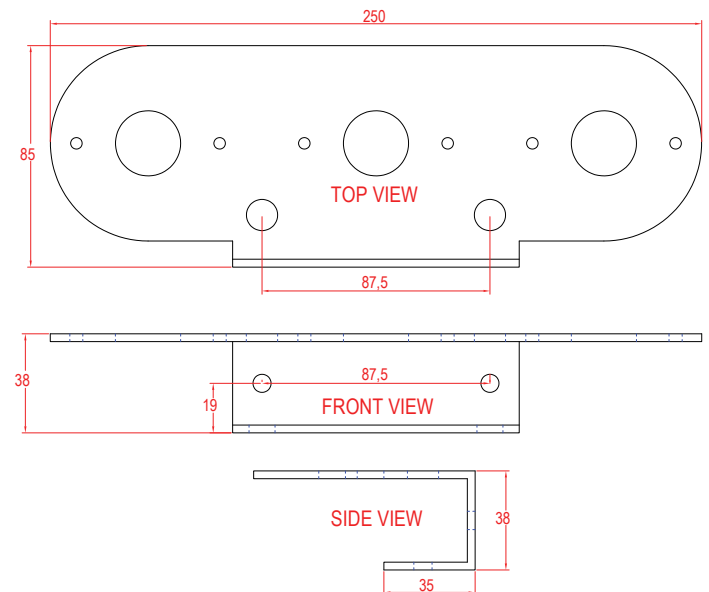
1 LIGHT BRACKET



2 LIGHT BRACKET



3 LIGHT BRACKET



klaxon

ELECOMMECH
LOAD SYSTEMS & WEIGHING EQUIPMENT